

HORIZONTAL ANCHOR DIMENSIONS FOR PIPE INSTALLATION IN ROCK										
UP TO 150 P.S.I. WORKING PRESSURE										
PIPE SIZE	TEE OR TAP SLEEVE		90° BEND		45° BEND		22 1/2° BEND		11 1/4° BEND	
	H	L	H	L	H	L	H	L	H	L
4"	0'-9"	1'-0"	0'-9"	1'-0"	0'-9"	1'-0"	0'-9"	1'-0"	0'-9"	1'-0"
6"	0'-9"	1'-0"	0'-9"	1'-0"	0'-9"	1'-0"	0'-9"	1'-0"	0'-9"	1'-0"
8"	1'-2"	1'-2"	1'-2"	1'-2"	1'-0"	1'-0"	0'-9"	1'-0"	0'-9"	1'-0"
10"	1'-4"	1'-4"	1'-4"	1'-4"	1'-0"	1'-0"	0'-9"	1'-0"	0'-9"	1'-0"
12"	1'-8"	1'-8"	1'-8"	1'-3"	1'-3"	1'-0"	1'-0"	0'-9"	1'-0"	1'-0"

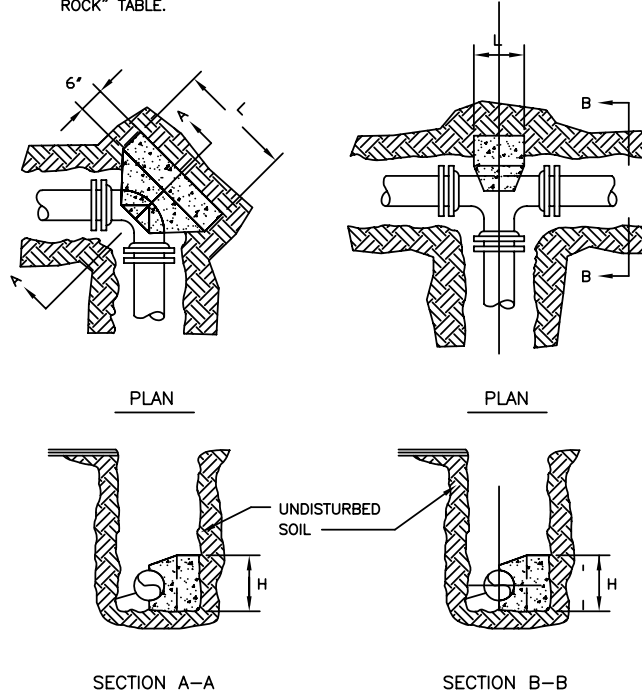
* - FOR 3" AND SMALLER PIPES

HORIZONTAL ANCHOR DIMENSIONS FOR AVERAGE SOIL CONDITIONS										
UP TO 150 P.S.I. WORKING PRESSURE										
PIPE SIZE	TEE OR TAP SLEEVE		90° BEND		45° BEND		22 1/2° BEND		11 1/4° BEND	
	H	L	H	L	H	L	H	L	H	L
4"	1'-0"	2'-0"	1'-0"	2'-0"	1'-0"	1'-4"	0'-9"	1'-0"	0'-6"	1'-0"
6"	1'-0"	2'-0"	1'-0"	2'-0"	1'-0"	1'-4"	0'-9"	1'-0"	0'-6"	1'-0"
8"	1'-4"	2'-8"	1'-4"	2'-8"	1'-4"	1'-6"	1'-0"	1'-0"	0'-9"	1'-0"
10"	1'-8"	3'-4"	1'-8"	3'-4"	1'-8"	2'-0"	1'-3"	1'-3"	1'-0"	1'-0"
12"	2'-0"	4'-0"	2'-0"	4'-0"	2'-0"	2'-2"	1'-6"	1'-6"	1'-3"	1'-3"

* - FOR 3" AND SMALLER PIPES

NOTES:

1. TABLES ARE BASED ON AN ALLOWABLE SOIL PRESSURE OF 3000 PSF ON UNDISTURBED EARTH BEHIND THE ANCHOR BLOCK. WHERE SOIL HAS BEEN DISTURBED BY ADJACENT EXCAVATIONS OR WHERE SOIL CANNOT WITHSTAND SUCH A PRESSURE, THE TABLE DOES NOT APPLY.
2. WHERE ENTIRE DEPTH OF PIPE IS BELOW THE TOP SURFACE OF SOUND ROCK, USE "HORIZONTAL ANCHOR DIMENSIONS FOR PIPE INSTALLATION IN ROCK" TABLE.



ALL HORIZONTAL BENDS TEE OR TAPPING SLEEVE
MECHANICAL RESTRAINT REQUIRED, CONCRETE (SEE SPEC)

LEGEND SYMBOL	CENTRAL HOOKSETT WATER PRECINCT	DRAWN BY	SCALE
	TYPICAL HORIZONTAL RESTRAINT	DESIGNED BY	NONE
	DETAIL CLASS.: STANDARD	CHECKED BY	LAST REVISION JAN. 10, 2007
			DETAIL NO. TYP A-6